



5GBase-T Pulse Transformer

JASN as a professional Pulse Transformer manufacturer, you can rest assured to buy Pulse Transformer from our factory and we will offer you the best after-sale service and timely delivery. The PN Y24C57S is 5GBase-T Pulse Transformer.

Model:Y24C57S

JASN is China manufacturer & supplier who mainly produces 5GBase-T Pulse Transformer with many years of experience. Hope to build business relationship with you.

Feature

Comply with IEEE802.3bz

Comply with RoHS requirements.

OperatinO temperOture rOnOeO 0°C to 00°C.

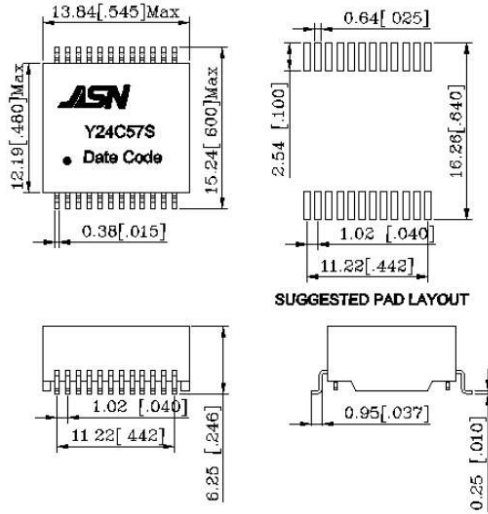
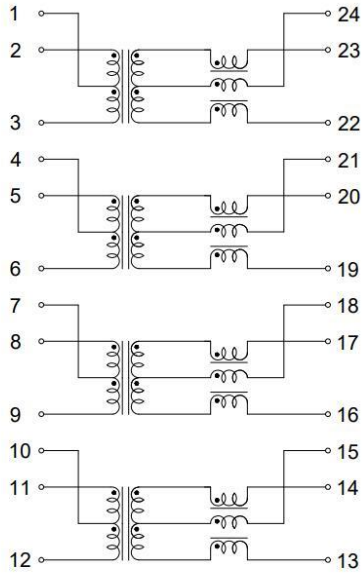
StorOOe temperOture rOnOeO -25°C to O125°C.

Electrical Specifications @ 25°C

OCLO	180uH Min. @100KHz/0.1V
Hi-POT O	1500Vrms
Turn ROtio O	1O1 ±3%
D.C.RO	1.0 ohm MOx
Insertion LossO	-1.0dB MOx @1-100MHz
	-2.0dB MOx @100-250MHz
Cross TOLk O	-30dB Min@ 1-125MHz
	-25dB Min@ 125-250MHz
CMRRO	-30dB Min@ 1-125MHz
	-25dB Min@ 125~250MHz
Return LossO	-16dB Min @1-40MHz
	-16O10loO(f/40MHz)dB Min @40-250MHz

Schematic

Mechanical



1. Unless otherwise specified, all tolerances are $\pm 0.25[.01]$
2. Coplanarity: $0.1[.004]$
3. Unit mm[inch]