

## GIGABIT Ethernet Transformer



China JASN has been successful for many domestic and foreign company to provide advanced GIGABIT Ethernet Transformer and offer you the best after-sale service and timely delivery. G24P09S is compliant with IEEE 802.3 standard.

Model:G24P09S

ASN is GIGABIT Ethernet Transformer manufacturers and suppliers in China who can wholesale GIGABIT Ethernet Transformer. We can provide professional service and better price for you.

### Feature

Compliant with IEEE 802.3 standard.

Comply with ROHS requirements.

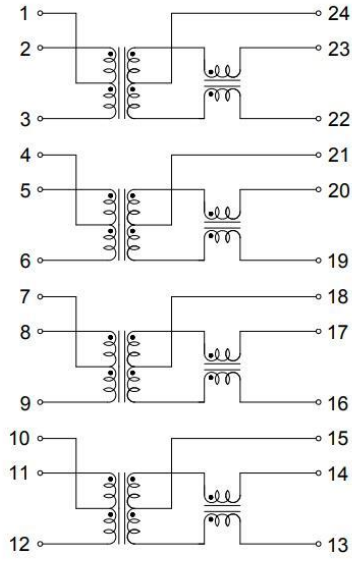
Operating temperature range: 0°C to +70°C.

Storage temperature range: -25°C to +125°C.

### Electrical Specifications @ 25°C

OCL:	350uH Min. @100KHz/0.1V with 8mA DC Bias				
Hi-POT :	1500Vrms				
Turn Ratio:	1:1±3%				
LK:	0.5uH Max @100KHz/0.2V				
Cw/w	35PF Max @100KHz/0.2V				
D.C.R:	1.2 ohm Max				
Insertion Loss:	1-100MHz: -1.0dB Max				
Cross Talk :	1-100MHz: -30dB Min				
Return Loss:	1-30MHz	40MHz	50MHz	60-80MHZ	80-100MHZ
	-18dB Min	-14.4dB Min	-13.1dB Min	-12dB Min	-10dB Min

**Schematic**



**Mechanical**

